

**MISSION PROFILE:**

Designed for HAHO operations, but suitable for any user who requires simultaneous access to their Garmin, compass and navigational app running on their EUD. Clips to the back of the Juggernaut. Case PALS armor mount, and utilizes adjustable tension hinge to unfold or stow against the chest.

**HIGH LEVEL SPECS:**

**Dimensions (5 series)** ..... 4.30"H x 5.50 "W x 2.01"D  
**Dimensions (6 series)** ..... 4.72"H x 5.50" W x 2.04"D

**Weight (without GPS)** ..... 172.4 grams

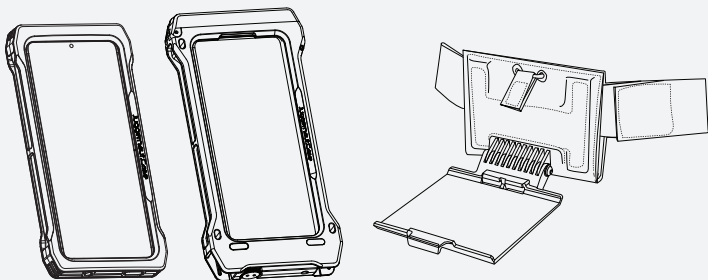
**Colors** ..... Flat Dark Earth (FDE) or Flat Black

**COMPATIBILITY:**

5" Series HAHO-L Fits 4.5" and 5" PALS Mounts  
 6" Series HAHO-L Fits 5.5" and 6" PALS Mounts  
*(reference compatibility chart for device/mount compatibility)*

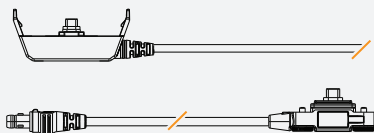
Compass: Northern or Southern Hemesphere (select when purchasing)  
 Fits Garmin Fortrex 401/601/701 *(sold separately)*

**ACCESSORIES:**

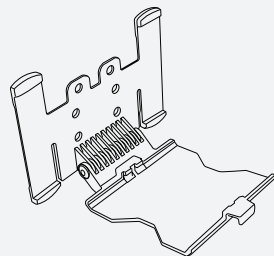


IMPCT, SLEEV or Juggernaut.Case

HAHO Sternum Mount

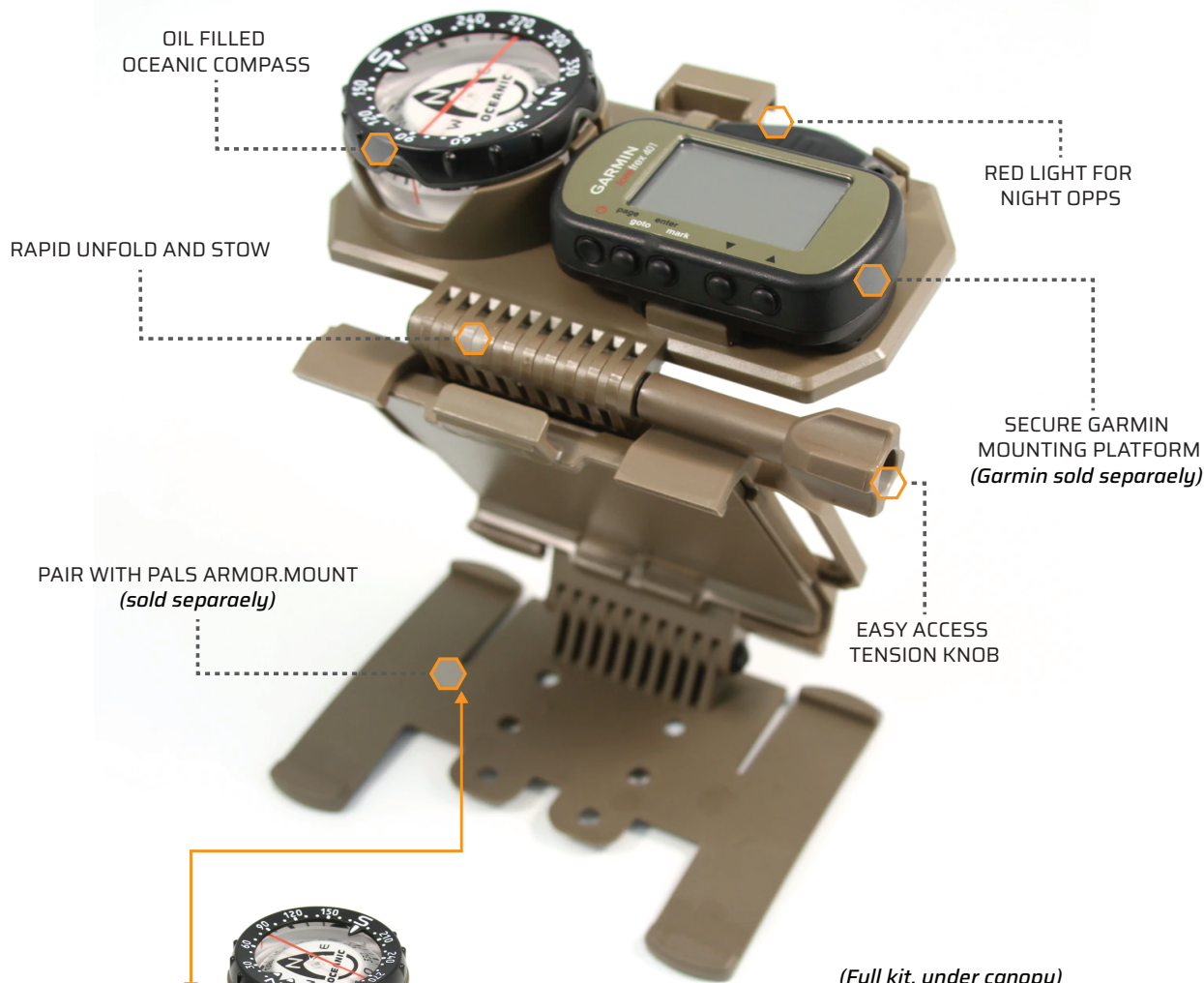


IMPCT Cables  
QD Cables



Pals Armor.Mount

**P/N: JG.MT.HAHO-L.XX-B**



*(Full kit, under canopy)*

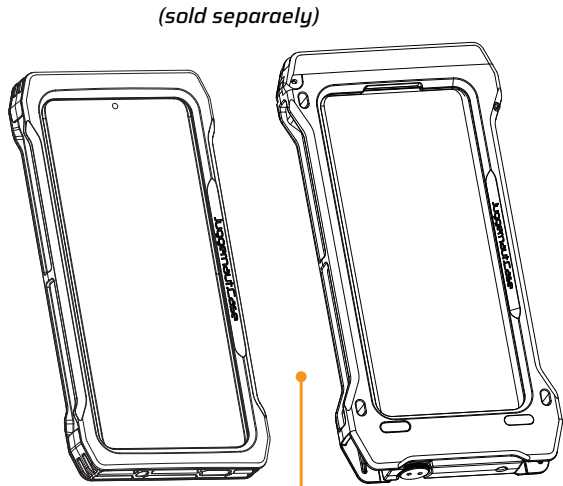


To use the Nav Board Lite properly for HAHO operations you must have all 3 components.

Follow the numbers below to help understand what to select when building your kit!

**Juggernaut.Case, SLEEV, IMPCT:**

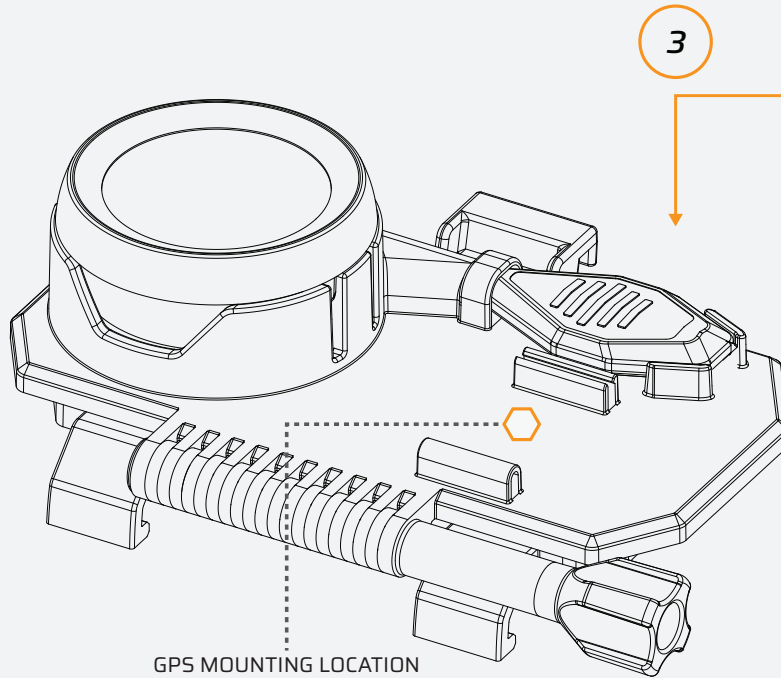
Select Case type based on EUD model and mission/activity requirements.



**1** Juggernaut.Case, SLEEV, IMPCT

**NAV-Board Lite:**

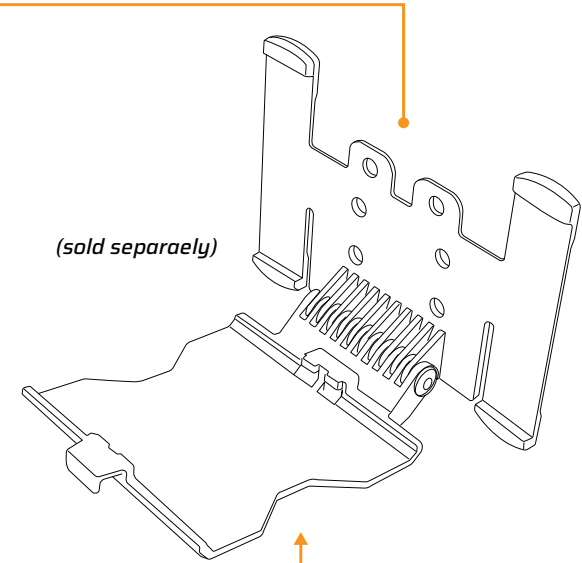
Designed for HAHO operations, but suitable for any user who requires simultaneous access to their Garmin, compass and navigational app running on their EUD. Clips to the back of the Juggernaut.Case PALS armor mount, and utilizes adjustable tension hinge to unfold or stow against the chest.



5 Series Nav Board fits 4.5/5 Armor Mount } Based on Armor Mount Size  
 6 Series Nav Board fits 5.5/6 Armor Mount

**PALS Armor.Mount:**

Both your Juggernaut.Case and NAV-Board will securely mount to your Armor Mount allowing for rapid unfold and stowing against the chest. Be sure to select correct 4.5, 5, 5.5, or 6 series Armor mount based on your EUD Juggernaut Case.



Based on EUD Case { 4.5, 5, 5.5 or 6 Series Armor Mount **2**